



Segue 2520

Standard unit may not be exactly as shown.

Segue is a proud member of the Supreme International family of products. Locate your nearest dealer at: www.seguetmr.com



Segue 2520

Standard Equipment

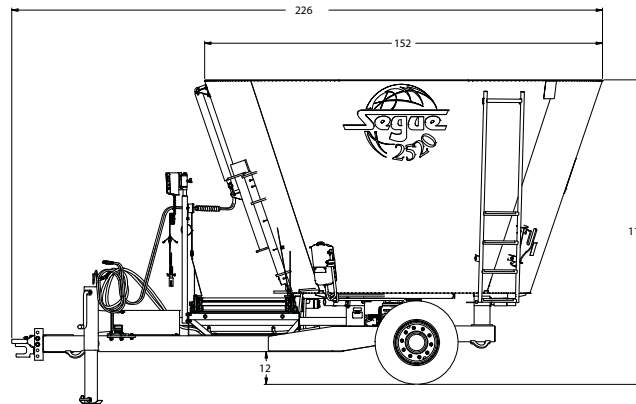
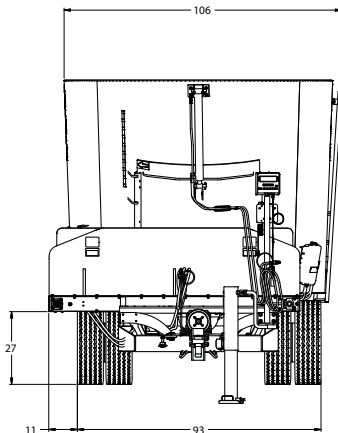
- One Patented Freestanding Vertical Cutting Auger
- Manual Restrictor Plates
- (1) Heavy-Duty, Two-Stage Planetary Drive
- 540rpm PTO
- Replaceable Forage Cutting Blades (5)
- Heavy-Duty Tubular Steel Frame
- Front Centre Door with 8' Flat Conveyor Dual Discharge
- AR200 Kicker Plate
- 3/4" M/S Floor
- 1/4" M/S Walls
- 5/8" M/S Auger Flighting
- Removable Heavy Duty Hitch Jack
- Viewing Ladder
- 3 pt DG Stad 02 Scale System
- (4) 235 x 75 x 17.5 Truck Tires

Model 2520

	Imperial	Metric
Empty Weight	9,450 lbs.	4,287 kg
Max. Payload At 5mph / 8km/h	14,000 lbs.	6,363 kg
Height	115 in.	292 cm
W/10" Extension	125 in.	318 cm
Overall Width	106 in.	270 cm
Overall Length	226 in.	574 cm
Min. HP Req.	100	100
Capacity W/10" Extension	537 cu. ft.	15.2 m ³
Capacity Struck Level	469 cu. ft.	13.3 m ³

*Discharge Ground Clearance (Inches/cm)

Front Centre Door Conveyor	Flat	Dogleg
2520	27"/69cm	39"/99cm



Locate your nearest dealer at:
www.seguetmr.com