



Segue 3570

Standard unit may not be exactly as shown.

Segue is a proud member of the Supreme International family of products. Locate your nearest dealer at: www.seguetmr.com



Segue 3570

Standard Equipment

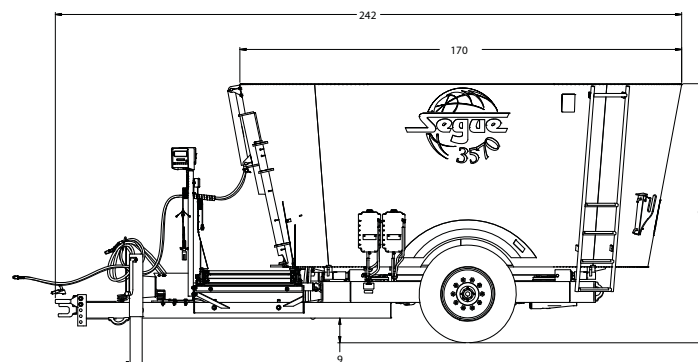
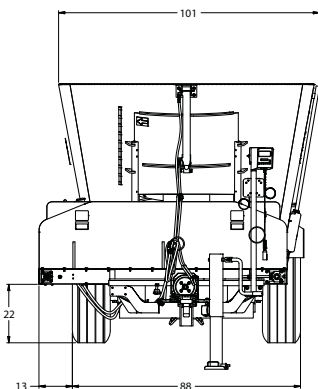
- Two Patented Freestanding Vertical Cutting Augers
- Manual Restrictor Plates
- (2) Heavy-Duty, Two-Stage Planetary Drives
- 540rpm PTO
- Replaceable Forage Cutting Blades (8)
- Heavy-Duty Tubular Steel Frame
- Front Centre Door with 8' Flat Conveyor Dual Discharge
- AR200 Auger Kicker Plates
- 5/8" M/S Floor
- 1/4" M/S Walls
- 5/8" M/S Auger Flighting
- Removable Heavy Duty Hitch Jack
- Viewing Ladder
- 4 pt DG Stad 02 Scale System
- (2) 40x14.5x19 A/C Tires

Model 3570

	Imperial	Metric
Empty Weight	11,038 lbs.	5,007 kg
Max. Payload At 5mph / 8km/h	14,000 lbs.	6,363 kg
Height	99 in.	251 cm
W/10" Extension	109 in	277 cm
Overall Width	101 in.	257 cm
Overall Length	242 in.	615 cm
Min. HP Req.	80	80
Capacity W/10" Extension	555 cu. ft.	15.7 m ³
Capacity Struck Level	480 cu. ft.	13.6 m ³

*Discharge Ground Clearance (Inches/cm)

Front Centre Door Conveyor	Flat	Dogleg
3570	22"/56cm	34"/86cm



Locate your nearest dealer at:
www.seguetmr.com