



Segue 3820

Standard unit may not be exactly as shown.

Segue is a proud member of the Supreme International family of products. Locate your nearest dealer at: www.seguetmr.com



Segue 3820

Standard Equipment

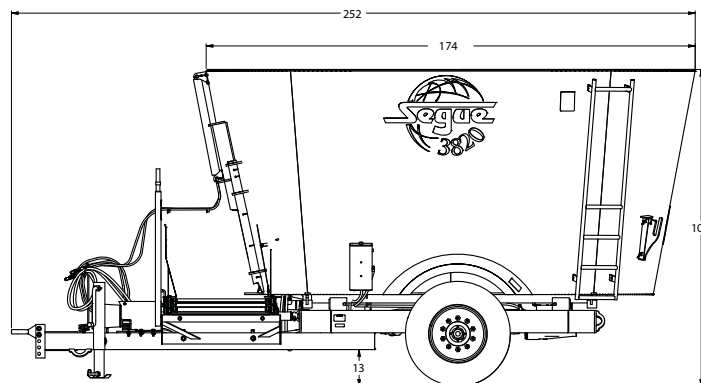
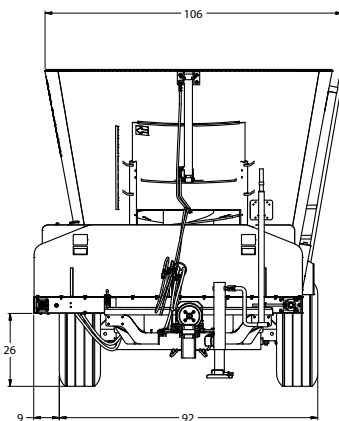
- Two Patented Freestanding Vertical Cutting Augers
- Manual Restrictor Plates
- (2) Heavy-Duty, Two-Stage Planetary Drives
- 540rpm PTO
- Replaceable Forage Cutting Blades (10)
- Heavy-Duty Tubular Steel Frame
- Front Centre Door with 8' Flat Conveyor Dual Discharge
- AR200 Auger Kicker Plates
- 5/8" M/S Floor
- 1/4" M/S Walls
- 5/8" M/S Auger Flighting
- Removable Heavy Duty Hitch Jack
- Viewing Ladder
- 4 pt DG Stad 02 Scale System
- (2) 385/65R22.5 Tires

Model 3820

	Imperial	Metric
Empty Weight	9,035 lbs.	4,108 kg
Max. Payload At 5mph / 8km/h	14,000 lbs.	6,363 kg
Height	105 in.	267 cm
W/10" Extension	115 in.	292 cm
Overall Width	106 in.	269 cm
Overall Length	252 in.	640 cm
Min. HP Req.	100	100
Capacity W/10" Extension	641 cu. ft.	18.2 m ³
Capacity Struck Level	549 cu. ft.	15.6 m ³

*Discharge Ground Clearance (Inches/cm)

Front Centre Door Conveyor	Flat	Dogleg
3840	26"/66cm	38"/97cm



Locate your nearest dealer at:

www.seguetmr.com