



Segue 3840

Standard unit may not be exactly as shown.

Segue is a proud member of the Supreme International family of products. Locate your nearest dealer at: www.seguetr.com



Segue 3840

Standard Equipment

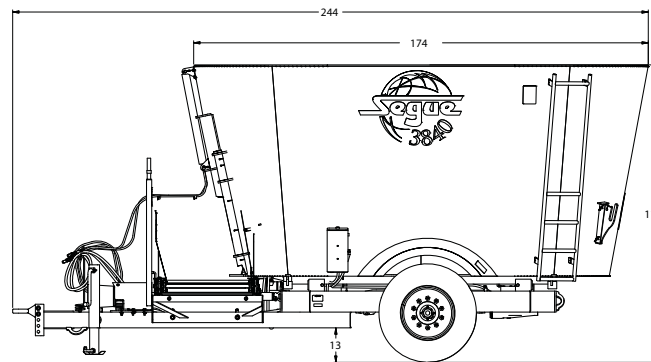
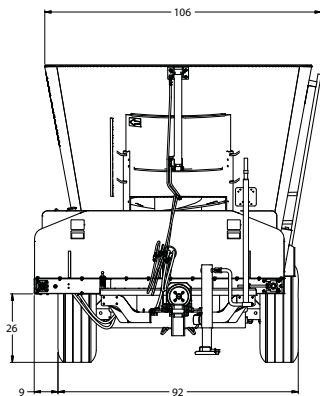
- Two Patented Freestanding Vertical Cutting Augers
- Manual Restrictor Plates
- (2) Heavy-Duty, Two-Stage Planetary Drives
- 540rpm PTO
- Replaceable Forage Cutting Blades (10)
- Heavy-Duty Tubular Steel Frame
- Front Centre Door with 8' Flat Conveyor Dual Discharge
- AR200 Auger Kicker Plates
- 5/8" M/S Floor
- 1/4" M/S Walls
- 5/8" M/S Auger Flighting
- Removable Heavy Duty Hitch Jack
- Viewing Ladder
- 4 pt DG Stad 02 Scale System
- (2) 385/65R22.5 Tires

Model 3840

	Imperial	Metric
Empty Weight	12,035 lbs.	5,459 kg
Max. Payload At 5mph / 8km/h	14,000 lbs.	6,363 kg
Height	113 in.	287 cm
W/10" Extension	123 in	312 cm
Overall Width	106 in.	269 cm
Overall Length	244 in.	620 cm
Min. HP Req.	100	100
Capacity W/10" Extension	649 cu. ft.	18.4 m ³
Capacity Struck Level	568 cu. ft.	16.1 m ³

*Discharge Ground Clearance (Inches/cm)

Front Centre Door Conveyor	Flat	Dogleg
3840	26"/66cm	38"/97cm



Locate your nearest dealer at:
www.seguetmr.com